



TURBOPELLET

TECHNICAL FEATURES		0TURBO001
POWER	kW	12
HEATABLE VOLUME*	m ²	120
CLEANING FREQUENCY		10 days
INTELLIGENT REMOTE CONTROL**		as standard
EFFICIENCY	%	85
POWER LEVELS		5
PELLET TANK CAPACITY***	kg	18 / 50
HOURLY CONSUMPTION	minimum kg/h	0,9
AUTONOMY AT MINIMUM POWER	h	25
FLUE GAS OUTLET		Ø 80 mm
AIR OUTLET / AIR INLET		Ø 100 mm
USABLE FUELS		pellet A1 / pellet A2 beech and fir
WEIGHT	kg	70,80
DIMENSIONS - LxDxH	cm	86 x 43 x 89
MOUNTED ON 7 WHEELS		

* Heatable room size values are calculated considering a heating requirement of 35 W/m³.

** Remote control with thermostat function.

*** 18 kg is the capacity of the basic generator, with the addition of the "Tank extension" kit (art. 1905846) it becomes 50 kg.

HOW DOES IT WORK

The Turbopellet is positioned outside the structure to be heated: two holes are drilled in the wall, one to take the fresh air from the internal environment and the other to reintroduce it after having heated it thanks to the pellet combustion.

The Turbopellet can be completely controlled remotely with the help of the INTELLIGENT REMOTE CONTROL, which also functions as a thermostat inside the building.



USE YOUR PHONE
CAMERA TO SEE
THE VIDEO

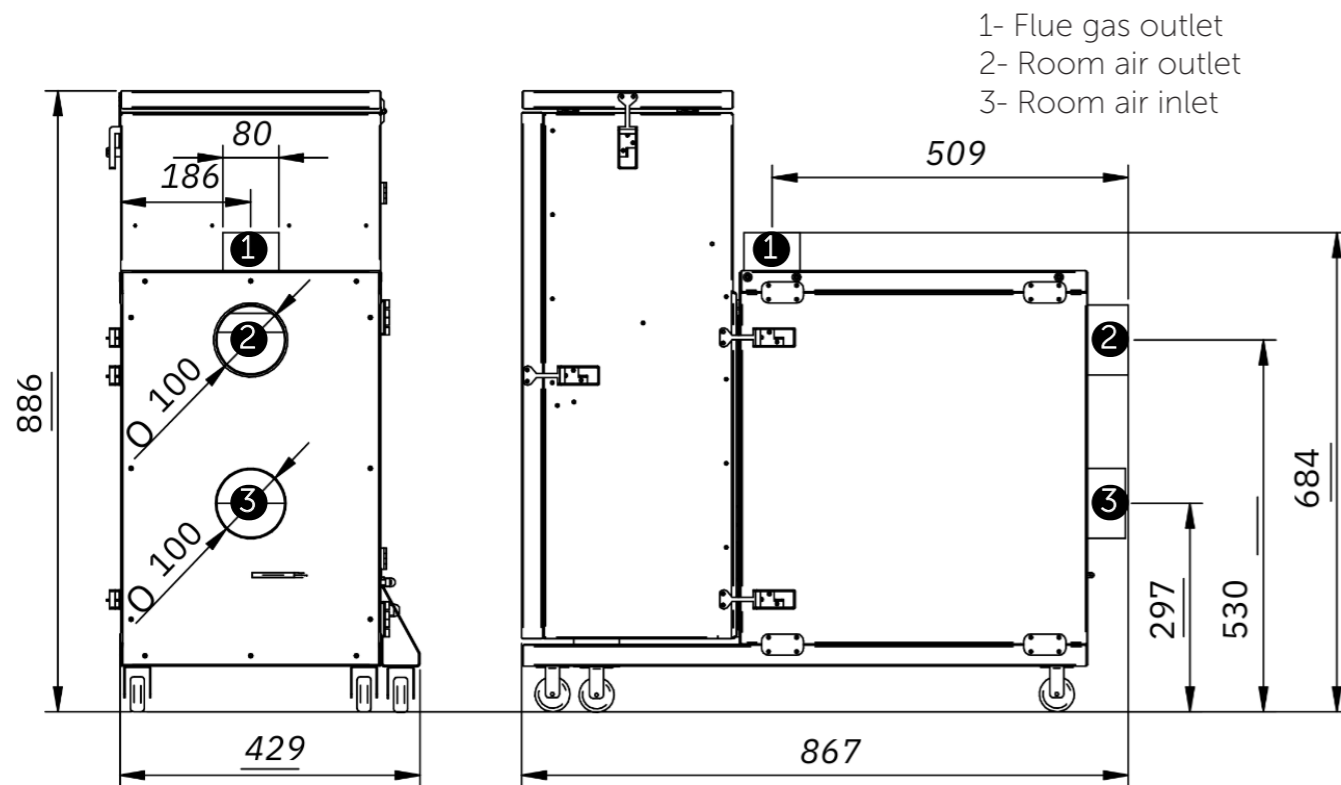


INTELLIGENT REMOTE CONTROL AS STANDARD

Radio remote control that allows control from inside the home, even from a long distance. The device guarantees an ideal temperature thanks to an integrated probe.

OPTIONAL ACCESSORIES

CODE	DESCRIPTION
5007199	WI-FI CONNECTION KIT
1905845	FILTER FOR ROOM AIR PURIFICATION
1832474	AIR GRILL
5003077	HIGH TEMPERATURE FLEXIBLE SILICONE HOSE Ø 100 mm
1905846	PELLET TANK EXTENSION
1905847	ANTI-SCALDING PROTECTION FOR THE TUBE
1905848	FLUE GAS HOLDER BRACKET



THE EASIEST HEAT

- OUTDOOR INSTALLATION AND EASY ACCESS TO CLEANING
- NO REQUIREMENT FOR A FIXED FLUE
- NO DUST AND RESIDUES IN THE HOUSE
- REMOVABLE AT THE END OF THE USE

100% made in Italy



CS THERMOS SRL
Via Padania 35 - Z.I.
31020 San Vendemiano
Treviso - ITALY
Tel. +39 0438 62717
Email: info@csthermos.it
www.csthermos.it

